

Fulflo® Single Cartridge Filter Vessels

- Stainless Steel
- Brass

Single Cartridge Filter Vessel Series

Fulflo® Single Cartridge Stainless Steel and Brass Filter Vessels Are for Water and Corrosive Fluid Applications

The BSSB models have a 316 stainless steel shell and a four-boss 316 stainless steel head for applications where an all-stainless steel construction is required. The BRSB vessels have a 316 stainless steel cartridge and feature a four-boss brass head.

The BR4 is for water and aqueous fluids. With a brass head and cartridge, it offers reliable, leak-free operation in corrosive environments.

Applications

- Petrochemicals
- Solvents
- Coolants
- Potable Liquids
- Hydraulic Oils
- Process Water



Features and Benefits

- Single center bolt for quick cartridge change.
- In-line pipe connections for easy installation.
- Bracket kit for installation on drilled head bosses for easy mounting.
- Spring-loaded bottom seats for positive cartridge sealing.
- O-ring closure seal provides positive sealing.
- Drain and vents standard on all models.

Process Filtration Division

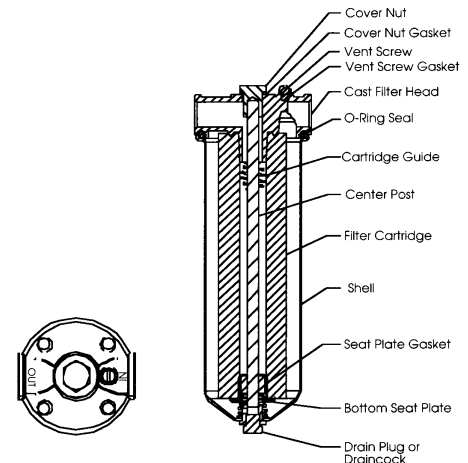
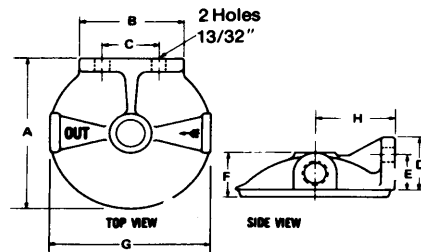
WARNING! FAILURE OR IMPROPER SELECTION OR IMPROPER USE OF THE PRODUCTS AND/OR SYSTEMS DESCRIBED HEREIN OR RELATED ITEMS CAN CAUSE DEATH, PERSONAL INJURY AND PROPERTY DAMAGE. This document and other information from Parker Hannifin Corporation, its subsidiaries and authorized distributors provide product and/or system options for further investigation by users having technical expertise. It is important that you analyze all aspects of your application and review the information concerning the product or system in the current product catalogue. Due to the variety of operating conditions and applications for these products or systems, the user, through its own analysis and testing, is solely responsible for making the final selection for the products and systems and assuring that all performance, safety and warning requirements of the application are met. The products described herein, including without limitation, product features, specifications, designs, availability and pricing, are subject to change by Parker Hannifin Corporation and its subsidiaries at any time without notice.



Single Cartridge Filter Vessel Series

Bracketed Head Dimensions (BR4-3/8SBD only)

NPT 3/8 (mm)	
A	107
B	69
C	38
D	38
E	25
F	32
G	11
H	5



BR4 Design Specifications

Model	Rated Capacity* (litres)	(Number) & Length of Wound Depth Cartridges (mm)	Maximum Operating Pressure (bar @ 66°C)	Overall Height (mm)	Outside Dia. (mm)	Face-to-Face Dim. (mm)	Pipe Size (NPT) (in)	Shipping Weight (Kg)
BR4-3/8 SD	7.60	101.6	(6.9 bar)	178	92	108	3/8	1.6
BR4-3/8 SBD**	7.60	101.6	(6.9 bar)	178	92	108	3/8	1.6

* Rated liquid capacity based on initial pressure drop of 3 psig (.2 bar) with a 20µm cotton Fulflo® filter cartridge and fluid viscosity equivalent to water.

** B suffix indicates integrally cast head bracket.

BRSB/BSSB Design Specifications

Model	Typical Aqueous Flow* (l/min)	(Number) & Length of Wound Depth Cartridges (mm)	Maximum Operating Pressure (bar @ 93°C)	Overall Height (mm)	Outside Dia. (mm)	Face-to-Face Dim. (mm)	Pipe Size (NPT) (in)	Shipping Weight (Kg)
BRSB10-3/4 SD	19	(1) 254	(10.3 bar)	324	92	103	3/4	2.73
BRSB20-3/4 SD	38	(1) 508	(10.3 bar)	580	92	103	3/4	4.77
(bar @ 121°C)								
BSSB10-3/4 SD	19	(1) 254	(10.3 bar)†	324	92	103	3/4	2.73
BSSB20-3/4 SD	38	(1) 508	(10.3 bar)†	580	92	103	3/4	4.77
BSSB10-1 SD	19	(1) 254	(10.3 bar)†	350	92	114	1	2.73
BSSB20-1 SD	38	(1) 508	(10.3 bar)†	587	92	114	1	4.77

* Actual flow rate is dependent on fluid viscosity, micron rating, contaminant and media type. Consult nomographs or flow curves for each application.

† Maximum allowable working pressure is 175 psi (12.1 bar) at 200°F (94°C).

Ordering Information

BRSB	20	—	3/4	S	D
Design Series	Cartridge Length		Connection Size (in)	Spring-Loaded Seal	Drain
BRSB = Brass Head/ 316 SS Cartridge	(in) 4	(mm) 101.6	3/8		
BSSB = 316 SS Head/ 316 SS Cartridge	10	254	3/4		
BRSB, BSSB = 4 Boss Head	20	508	1		

Process Filtration Division

* A trademark of E. I. du Pont de Nemours & Co.

Parker Filtration
 Filter Division Europe
 Shaw Cross Business Park
 Dewsbury, West Yorkshire
 WF12 7RD, England
 Phone: +44 (0) 1924 487000
 Fax: +44 (0) 1924 487001
 Website: www.parker.com

